

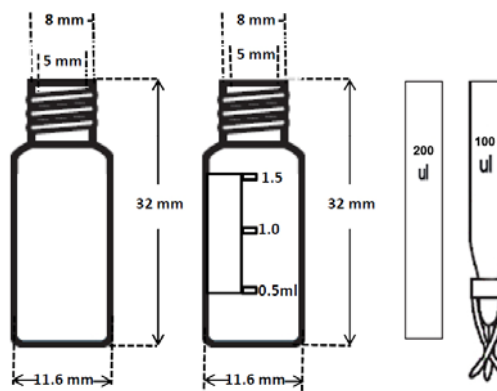


### 2ml Screw neck ND8 Vials, Small Opening, Screw thread 8-425, 12 x 32 mm

- 8-425 screw thread caps and vials are often used in conjunction with CTC Autosampler, Shimadzu, ThermoScientific, Varian and other autosamplers.
- Clear vial, 33 Expansion borosilicate glass (Type 1, Class A)
- Amber vial, 51 Expansion borosilicate glass (Type 1, Class B)
- Vials provide graduated write-on marking spot area, measures 0.5, 1.0 and 1.5ml
- Caps are made of high quality polypropylene to exact manufacturing tolerances.
- Septa made of the highest quality materials to ensure proper function.
- Red PTFE/White Silicone Septa.
- Pre-slit Red PTFE / White Silicone Septa.



*" We test all our Silicone Septa under strict Chromatographic conditions to ensure you receive the highest quality "*



### Ordering Information

#### 2mL Screw neck ND8 Vials, Screw thread 8-425, 12x32 mm

Description	P/N	Qty/pk
2ml screw neck ND8 Vial, Clear	120801	100
2ml screw neck ND8 Vial, Amber	120802	100
2ml screw neck ND8 Vial, with Marking Spot, Clear	120803	100
2ml screw neck ND8 Vial, with Marking Spot, Amber	120804	100

#### PP Screw caps – thread 8-425 for screw neck ND8 Vials, 8mm

Description	P/N	Qty/pk
8mm PP screw thread cap, Black center hole 5.5mm with Red PTFE/White Silicone septa 8 x 1.5mm	120807	100
8mm PP screw thread cap, White, centre hole, 5.5mm	120808	100
8mm PP screw thread cap, Black, centre hole, 5.5mm	120809	100
Septa Red PTFE/White Silicone, 8 x 1.5 mm	120810	100

#### Glass Inserts - for 12 x 32mm Screw neck ND8 Vials, 8 mm

Description	P/N	Qty/pk
100ul 5x30 mm glass insert w/PP spring bottom	120813	100
200ul 5x31 mm glass insert flat bottom	120815	100

### INSTRUMENT REFERENCE

#### Screw neck ND8 Vials, Screw Thread 8-425

The following instruments are compatible with 2.0 mL, screw neck ND8 Vials, Screw thread 8-425

Manufacturer	Instrument/Model #	Manufacturer	Instrument/Model #	Manufacturer	Instrument/Model #
A.I.M	CPS -100, 200	Perkin Elmer	Autosystem GC 420/B	Spectra-Physics	8875, 8880
Alcott	738		4900	TosoHaas	TSK-6080, AS-8010
Alltech	570	Pharmacia LKB	2175-010		AS-8020
Beckman	501, 502, 507	Precision Sampling	GC111, GC311	Unicam	4710, LC-XP, 4247
Carlo Erba	AS800, 8000		LC241-60	Rainin Dynamax	Dynamax AI-IA
Dani	ALS 39.80, 86.80	Phillips	LC-XP, 4247, 4710		AI-200, AI-3
Dynatech	42 vial tray	S.G.E.	M280D	Varian	8100/8200,
Gilson	231 XL, 232 XL, 233XL, Asted XL	Shimadzu	AOC-8B/9, SIL-6, AOC 14/1400, AOC-17		9100/9090/9095
Gynkotek	Gina, others		SIL-6B, -9A, -8A, SIL-10°, 10Ai, 10AxL		Marathon, 8055, 8085
Hitachi	S6651, L7200, L7250	Spark Holland	SPH 125, Marathon, Promis, Triathlon, Midas		9100/9090/9095/3800GC
ICI	All except LC1600			Waters	Alliance 2690
Jasco	851-AS, AS-950, LC800&900 series				
LEAP Technology	CTC A200S				